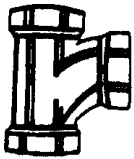
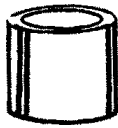


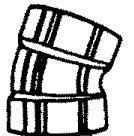



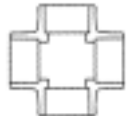


PVC Pipe and Fittings (DWV and S&D)

PVC DWV

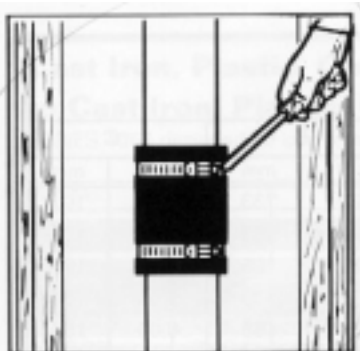
Sanitary Tee (HxHxH)			Coupling (HxH)			Plug (MPT)	
SEW82628	1 1/2"		SEW82143	1 1/2"		SEW83410	4"
SEW82636	2"	SEW82145	2"				
SEW82646	3"	SEW82149	3"				
SEW82654	4"	SEW82155	4"				
SEW82660	6"	SEW82161	6"				
90° EII (HxH)			45° EII (HxH)			Female Adapter (FPTxS)	
SEW82257	1 1/2"		SEW82472	1 1/2"		SEW82102	2"
SEW82259	2"	SEW82474	2"	SEW82106	4"	SEW82108	6"
SEW82261	3"	SEW82476	3"				
SEW82263	4"	SEW82478	4"				
SEW82267	6"	SEW82480	6"				
22 1/2° EII (HxH)			Wye (HxHxH)			Adapter (cleanout) (spigitxfpt)	
SEW82503	1 1/2"		SEW83222	4"		SEW82120	4"
SEW82505	2"						
SEW82507	3"						
SEW82509	4"						

PIPE	
Sch40 - DWV Dual Rated	
1 1/2" x 10' Plain End	SEW80000C
2" x 10' Plain End	SEW80002C
3" x 10' Plain End	SEW80004C
4" x 10' Plain End	SEW80006C
4" x 10' Bell End	SEW80008C
4" x 10' Cell Core Bell	SEW80010C
4" x 10' SDR 35	SEW90000
Sewer & Drain	
4" x 10' Cresline Solid	SEW92015C
4" x 10' Cresline Perf.	SEW92010C
4" x 10' ADS Solid	SEW92025
4" x 10' ADS Perf.	SEW92020

Sewer & Drain				
Sanitary Tee (HxHxH)			Coupling (HxH)	
SEW94304	4"		SEW94129	4"
90° EII (HxH)			45° (HxH)	
SEW94195	4"		SEW94207	4"
Cross (HxHxHxH)			22 1/2° (HxH)	
SEW94195	4"		SEW94227	4"

Cap (Slip)	
SEW94345	4"

Fernco Flexible Couplings



Plastic to Plastic	
Size	Milan No.
2 x 2	F50006
4 x 3	F50024
4 x 4	F50010
6 x 4	F50028
6 x 6	F50014

Clay to CI/Plastic	
Size	Milan No.
4 x 4	F50047

