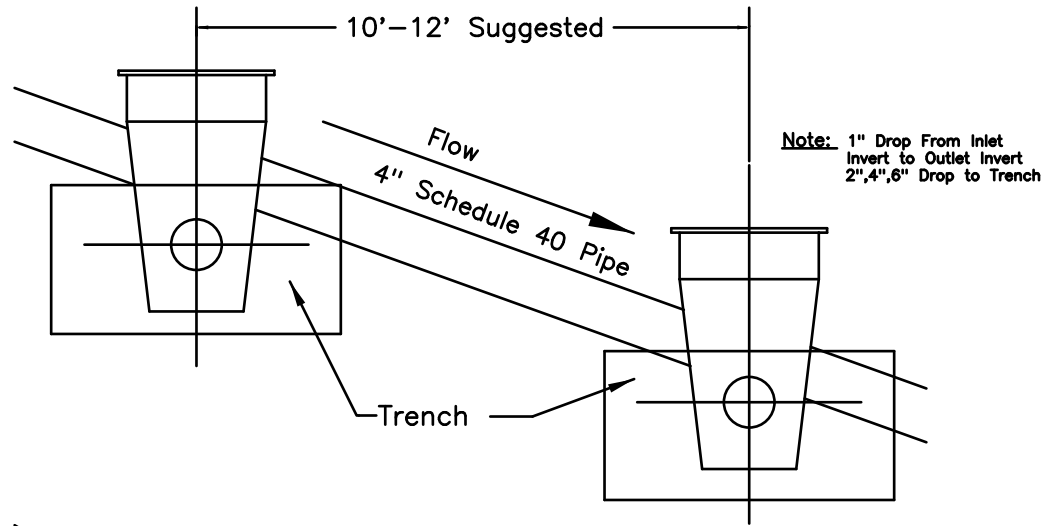
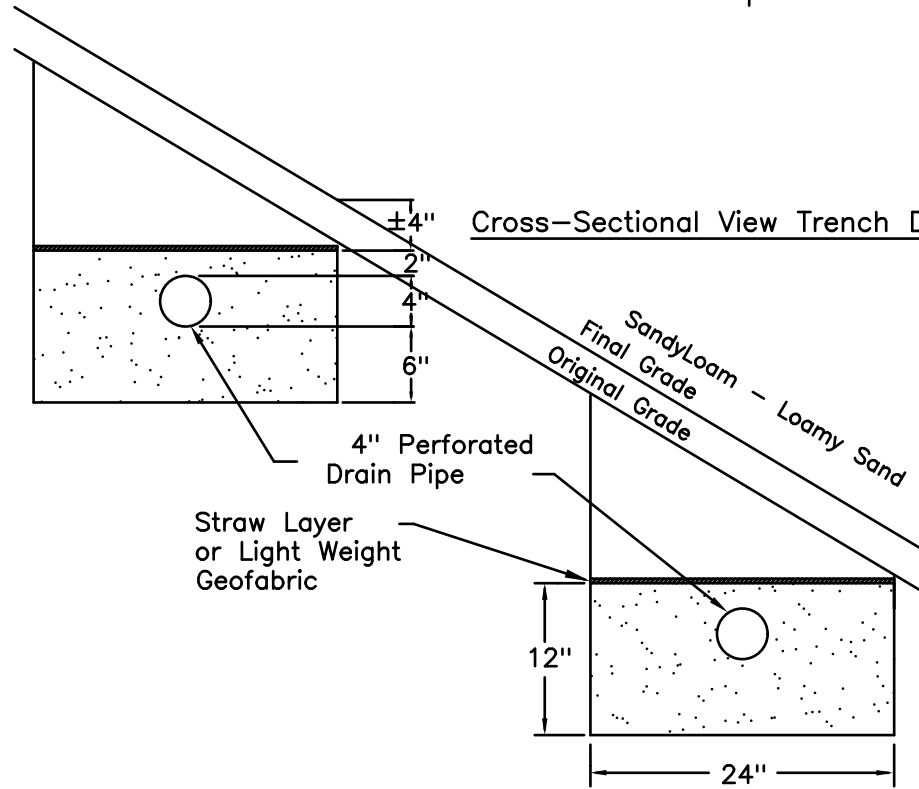


### Cross-Sectional View Connecting Manifold



### Cross-Sectional View Trench Detail



Trench Detail (Pg 1 of 2)

DRAWING NO. TR2	NO	REVISION	DATE	BY	 <p>7125 East Pickard Road P. O. Box 309 Mt. Pleasant, MI 48804-0309 ph-989-773-9938 fax-989-772-3415</p>	DRAWN	ADL
	1					SCALE	
	2					DATE	12/13/02
	3					APPROVED	
	4						
5							