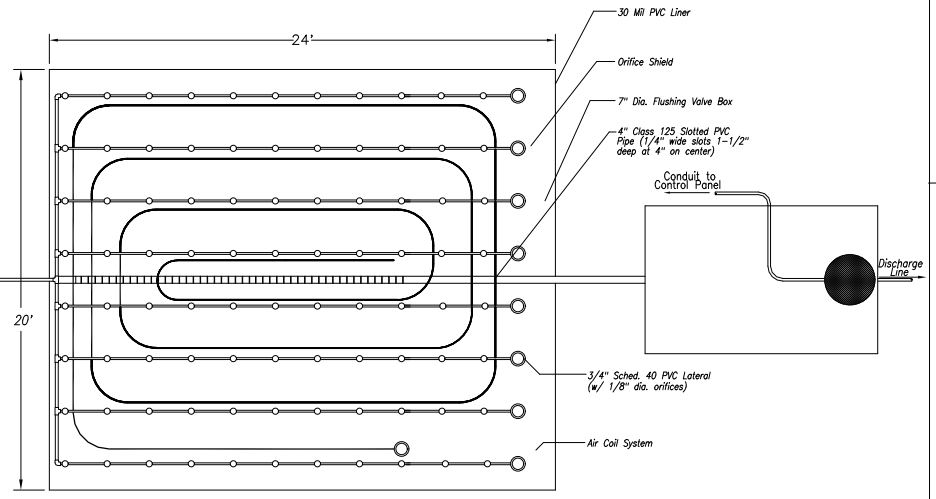
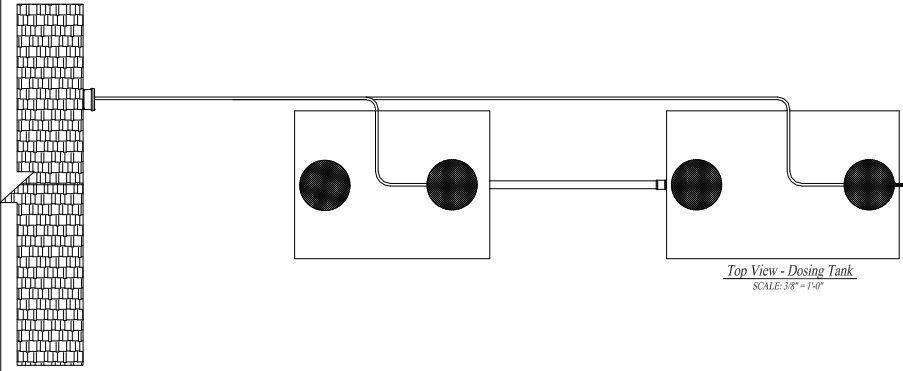
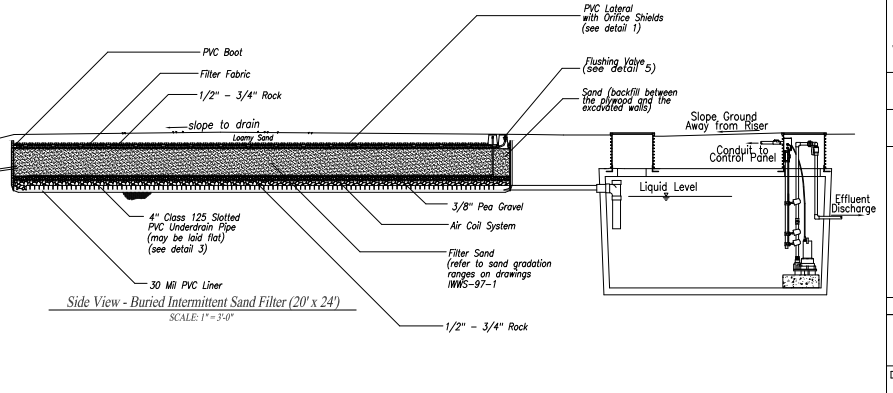
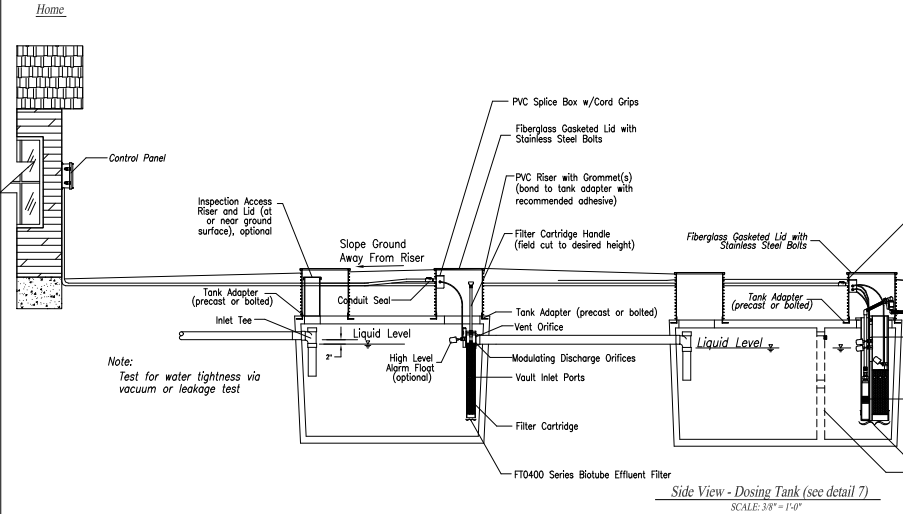


Drawing: ISF 20x24 Pumped w/Step (3 Tanks)

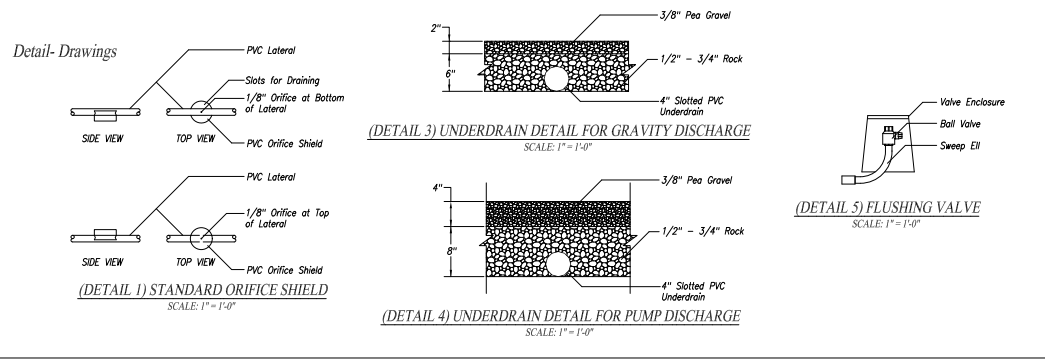


Note:
(See OSI approved Sand Filter drawings
for Gravity Discharge Sand Filter)



- Materials Take-off - ISF2018G**
- Septic Tank Equipment
 - IR2418 x 5 x 12
 - FL24-48
 - PR1424
 - PR1424BKIT
 - MA320
 - X451254-1819
 - SM4
 - ME4
 - HV125BCX
 - P300511
 - PIUMBRANTY
 - Sand Filter Equipment
 - L12729
 - LB125
 - LB400
 - SM2018G-1
 - LFF120 (40)
 - 5740150
 - MVP-S1PTROEMTCT
 - ISFO&M40EO
 - PVC Access Riser: 24" w/SC125
 - Fiberglass Lid: 24" w/G
 - ABS Riser/Tank Adapter 24" Dia
 - Ball Down Kit, Prt24
 - 200 G Epoxy Kit
 - Simplex Blotube Pump Vault (Tank Dimensions will determine model) *call Orenco
 - PVC Splice Box w/4 Card Grips
 - Floater Assembly: VQ2W
 - Hose & Valve Assembly: 1.25" w/B.C.X
 - OSI Effluent Pump: 1/2hp, 115V, 60Hz, 10' Lead
 - 5-Year Warranty for OSI High Head Pumps
 - 30 Mil PVC Liner: 27'x29'
 - 30 Mil PVC Boot Kit: 1.25"
 - 30 Mil PVC Boot Kit: 4"
 - 20x18 1st Manifold Kit, Gravity
 - Filter Fabric 120" wide
 - 150' Air Coil Kit for up to 600 sq. ft. ISF
 - MVP Simplex Panel, 115V w/PT, RO, ETM, CT
 - Sand Filter Video and O & M Manual

- General Notes**
- Materials not supplied by Orenco Systems Inc.
- Septic tank(s)
 - Sewer pipe from building to tank
 - Transport piping from pump to sand filter
 - Electrical conduit and fittings
 - Sand and gravel for sand filter construction
 - Plywood support frame for sand filter construction
 - Piping from sand filter to drainfield or disposal area
 - Disposal area materials, such as rock, lateral piping, etc. (unless Orenco shallow gravelless drainfield is supplied)
- Contact Orenco for cold weather climate equipment options



DRAWN	SCALE	DATE	APPROVED
Jdu	1/20/04		
7125 East Pickard Road P. O. Box 309 Mt. Pleasant, MI 48804-0309 ph-989-773-9938 fax-989-772-3415			
MILAN Engineered Systems			
BY	DATE	REVISION	SHEET
Jdu	12/04	1	1 OF 1
SLE	6/08	2	
		3	
		4	
		5	
		6	
		7	
		8	
		9	
		10	
		11	
		12	
		13	
		14	
		15	
		16	
		17	
		18	
		19	
		20	
		21	
		22	
		23	
		24	
		25	
		26	
		27	
		28	
		29	
		30	
		31	
		32	
		33	
		34	
		35	
		36	
		37	
		38	
		39	
		40	
		41	
		42	
		43	
		44	
		45	
		46	
		47	
		48	
		49	
		50	
		51	
		52	
		53	
		54	
		55	
		56	
		57	
		58	
		59	
		60	
		61	
		62	
		63	
		64	
		65	
		66	
		67	
		68	
		69	
		70	
		71	
		72	
		73	
		74	
		75	
		76	
		77	
		78	
		79	
		80	
		81	
		82	
		83	
		84	
		85	
		86	
		87	
		88	
		89	
		90	
		91	
		92	
		93	
		94	
		95	
		96	
		97	
		98	
		99	
		100	