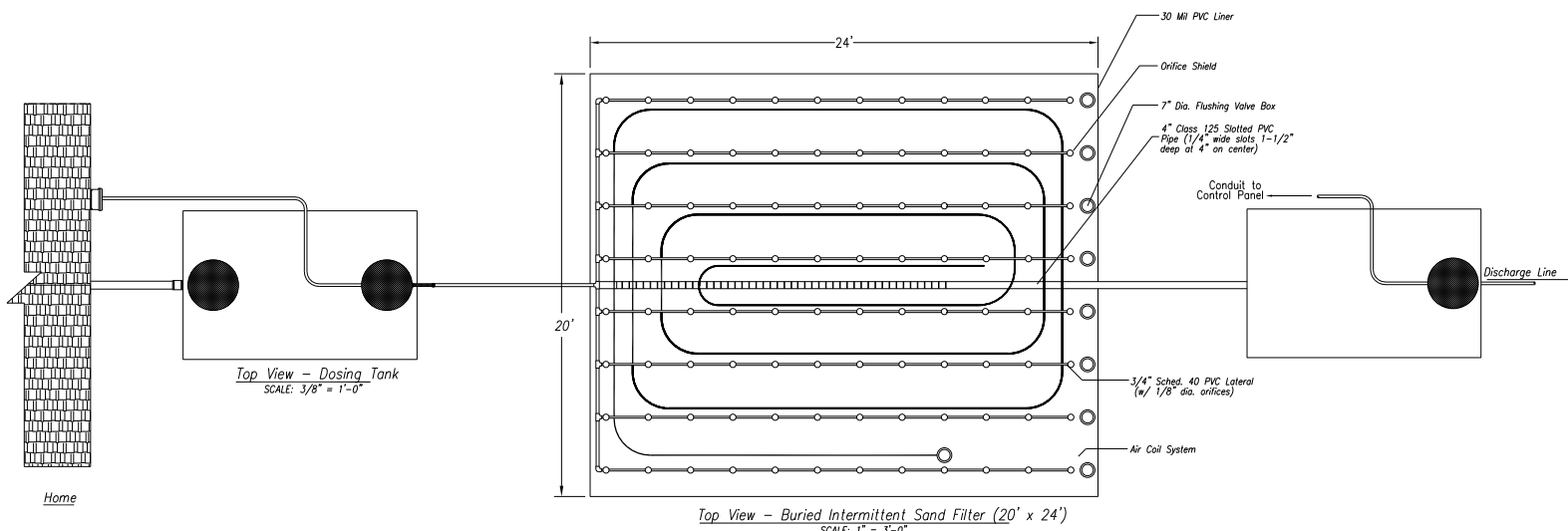
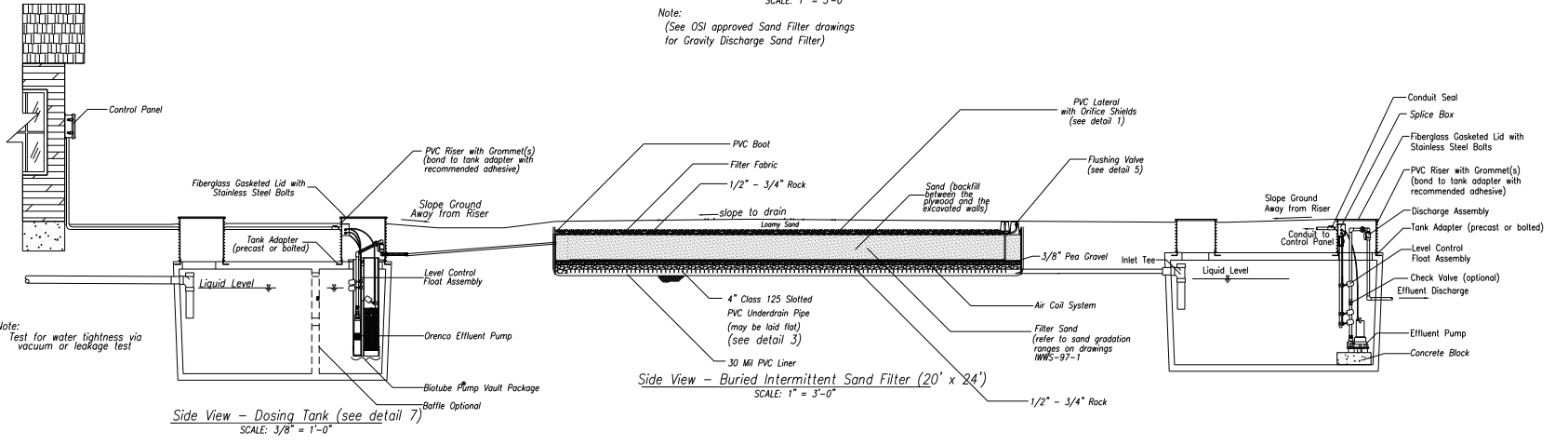


Drawing: ISF 20x24 Pumped w/ Step (1000 Primary/1000 Step)

DRAWN	SCALE: jdu	DATE: 12/20/04	APPROVED
7125 East Pickard Road P. O. Box 309 Mt. Pleasant, MI 48804-0309 ph-989-773-9938 fax-989-772-3415			
BY	jdu		
DATE			
NO REVISION	12/04		
SHEET	1	OF	1
DRAWING NO.	L11		



Note:
(See OSI approved Sand Filter drawings for Gravity Discharge Sand Filter)



Note:
Test for water tightness via vacuum or leakage test

Materials Take-off - ISF2018G

- | | |
|---|---|
| Septic Tank Equipment
RR2418+5+12
FL24-4B
PR12424
PR12424DKIT
MA320
X451254-1819
SB4
MFS4
HV125BCX
P300511
PAKARRANTY
Sand Filter Equipment
L12129
L12125
LB400
SFAC2018C-1
LUFF120 (40)
SFAC150
MVP-S1PTROEMTCT
ISF08MWD00 | PVC Access Riser, 24" w/SG125
Fiberglass Lid, 24" w/G
ABS Riser/Tank Adapter 24" Dia
Bolt Down Kit, P12424
200 G Epoxy Kit
Simplex Biotube Pump Vault (Tank Dimensions will determine model) *call Orenco
PVC Splice Box w/4 Cord Grips
Float Assembly, VGLW
Hose & Valve Assembly, 1.25" w/B.C.X
OSI Effluent Pump; 1/2Hp,115V,60Hz,10' Lead
5-Year Warranty for OSI High Head Pumps |
|---|---|

General Notes

- Materials not supplied by Orenco Systems Inc.
- Septic tank(s)
 - Sewer pipe from building to tank
 - Transport piping from pump to sand filter
 - Electrical conduit and fittings
 - Sand and gravel for sand filter construction
 - Plywood support frame for sand filter construction
 - Piping from sand filter to drainfield or disposal area
 - Disposal area materials, such as rock, lateral piping, etc. (unless Orenco shallow gravelless drainfield is supplied)
- Contact Orenco for cold weather climate equipment options

Detail- Drawings

