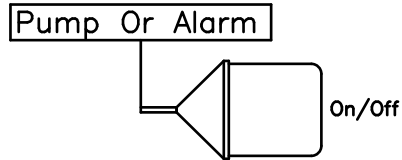
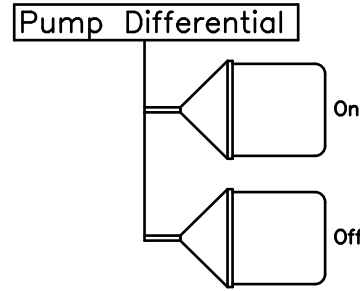


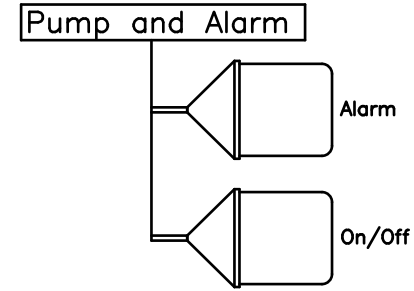
Simplex Float Arrangements



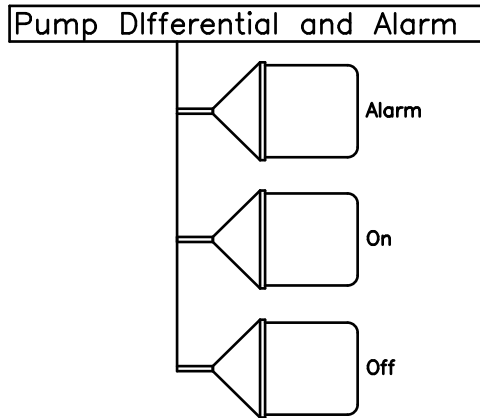
Pump: Wide Angle Pump Switch
Alarm: Signal Switch or Wide Angle Switch



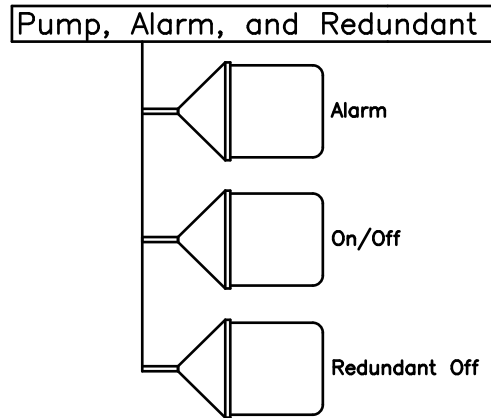
Pump: Wide Angle Pump Switch
Alarm: Signal Switch or Wide Angle Switch



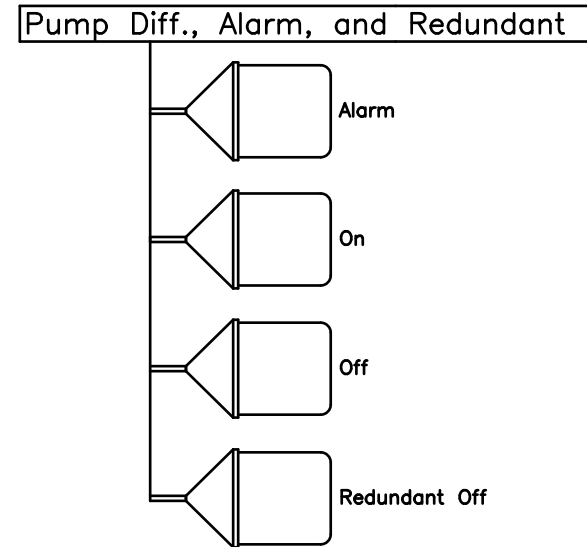
Pump: Wide Angle Pump Switch
Alarm: Signal Switch or Wide Angle Switch



Pump: Wide Angle Pump Switch
Alarm: Signal Switch or Wide Angle Switch



Pump: Wide Angle Pump Switch
Alarm: Signal Switch or Wide Angle Switch



Pump: Wide Angle Pump Switch
Alarm: Signal Switch or Wide Angle Switch

DRAWN jdu
SCALE
DATE 12/20/04
APPROVED

7125 East Pickard Road
P. O. Box 309
Mt. Pleasant, MI 48804-0309
ph-989-773-9938
fax-989-772-3415



NO	REVISION	DATE	BY
1.	12/04		Idu
2.			
3.			
4.			
5.			

SHEET 1 OF 1

DRAWING NO. FL4