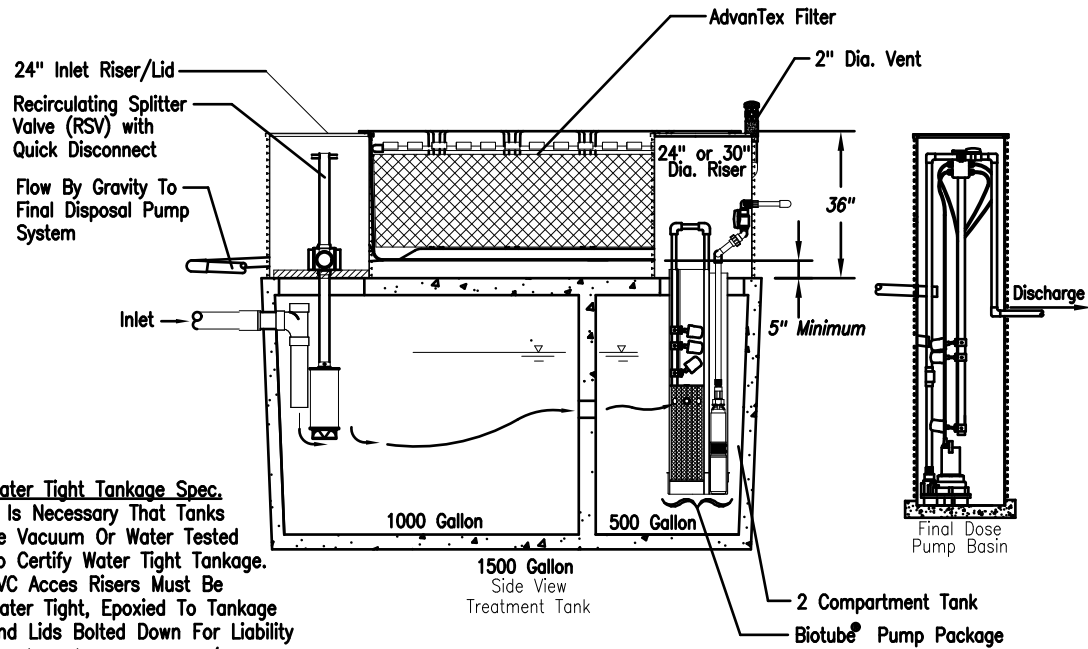


Top View



1500 Gallon
Side View
Treatment Tank

Water Tight Tankage Spec.
It is Necessary That Tanks Be Vacuum Or Water Tested To Certify Water Tight Tankage. PVC Acces Risers Must Be Water Tight, Epoxied To Tankage And Lids Bolted Down For Liability Consideration. Contractor/Tank Manufacturer Shall Be Responsible For Repair Or Replacement Of Tanks With Leaks or Defects. Tankage Must Have 3 Year Warranty.

Note: AdvanTex And Piping Must Not Settle

Patents # 4,439,323 & 5,492,635
Foreign Patents Pending
? Oreco Systems, Inc.

AdvanTex™ Treatment System
AX 20 Series - Mode 3b

AX 20 Pumped
Discharge (1 Tank)

DRAWING NO.	SHEET	NO	REVISION	DATE	BY
AX-LF-P	1	1.	12/04		idu
		2.	12/07		SLB
		3.			
		4.			
		5.			



7125 East Pickard Road
P. O. Box 309
Mt. Pleasant, MI 48804-0309
ph-989-773-9938
fax-989-772-3415

DRAWN	jdu
SCALE	
DATE	12/20/04
APPROVED	