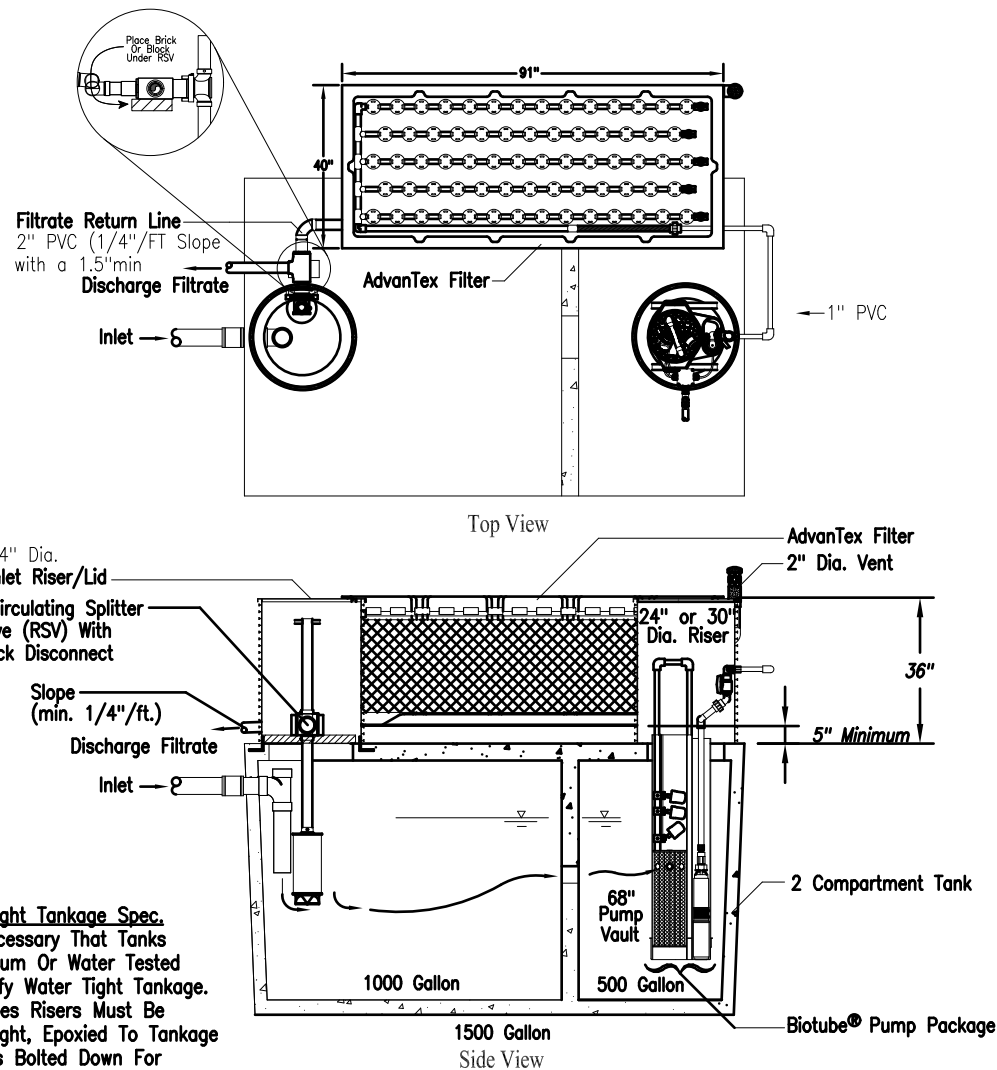




Orenco Systems<sup>®</sup>  
Incorporated



**Water Tight Tankage Spec.**  
It is Necessary That Tanks Be Vacuum Or Water Tested To Certify Water Tight Tankage. PVC Access Risers Must Be Water Tight, Epoxied To Tankage And Lids Bolted Down For Liability Consideration. Contractor/Tank Manufacturer Shall Be Responsible For Repair Or Replacement Of Tanks With Leaks or Defects. Tankage Must Have 3 Year Warranty.

Patents # 4,439,323 & 5,492,635  
Foreign Patents Pending  
© Orenco Systems, Inc.

Note: AdvanTex And Piping Must Not Settle

AdvanTex™ Treatment System  
AX 20 Series - Mode 3a

AX 20 Gravity  
Discharge (1 Tank)

DRAWING NO. AX-1-F-G	SHEET	NO	REVISION	DATE	BY
			1.	12/04	
2.	12/07		jdu		
3.					
4.					
5.					



7125 East Pickard Road  
P. O. Box 309  
Mt. Pleasant, MI 48804-0309  
ph-989-773-9938  
fax-989-772-3415

DRAWN	jdu
SCALE	
DATE	12/20/04
APPROVED	